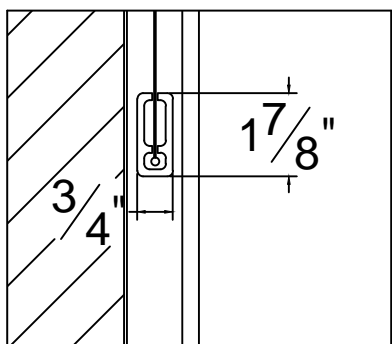
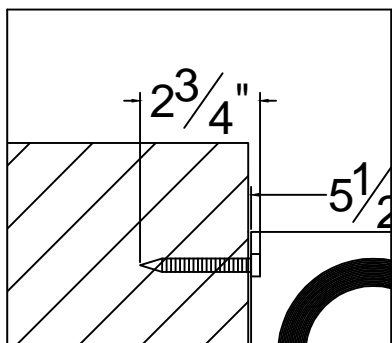


BOX AND TUBE DETAIL



BOTTOM SLAT DETAIL



MOUNTING SCREW  
DETAIL(TYP.)

**MATERIAL & FINISHES**

**BOX:**

6063 T5 EXTRUDED ALUMINUM

**TRACKS:**

6063 T5 EXTRUDED ALUMINUM

**FINISH:**

HEAVY DUTY POWDER COAT

**FABRICS:**

SOLAR FABRICS, 100% BLACKOUT,  
AND CLEAR VINYL

**OPERATION:**

MOTORIZED OR CRANK GEAR

**SECTION VIEW (SIDE VIEW)**

**FORTRESS ZIPPER TRACK SYSTEM**

NORTH SOLAR SCREEN  
WWW.NORTHSOLARSCREEN.COM  
866-230-4700